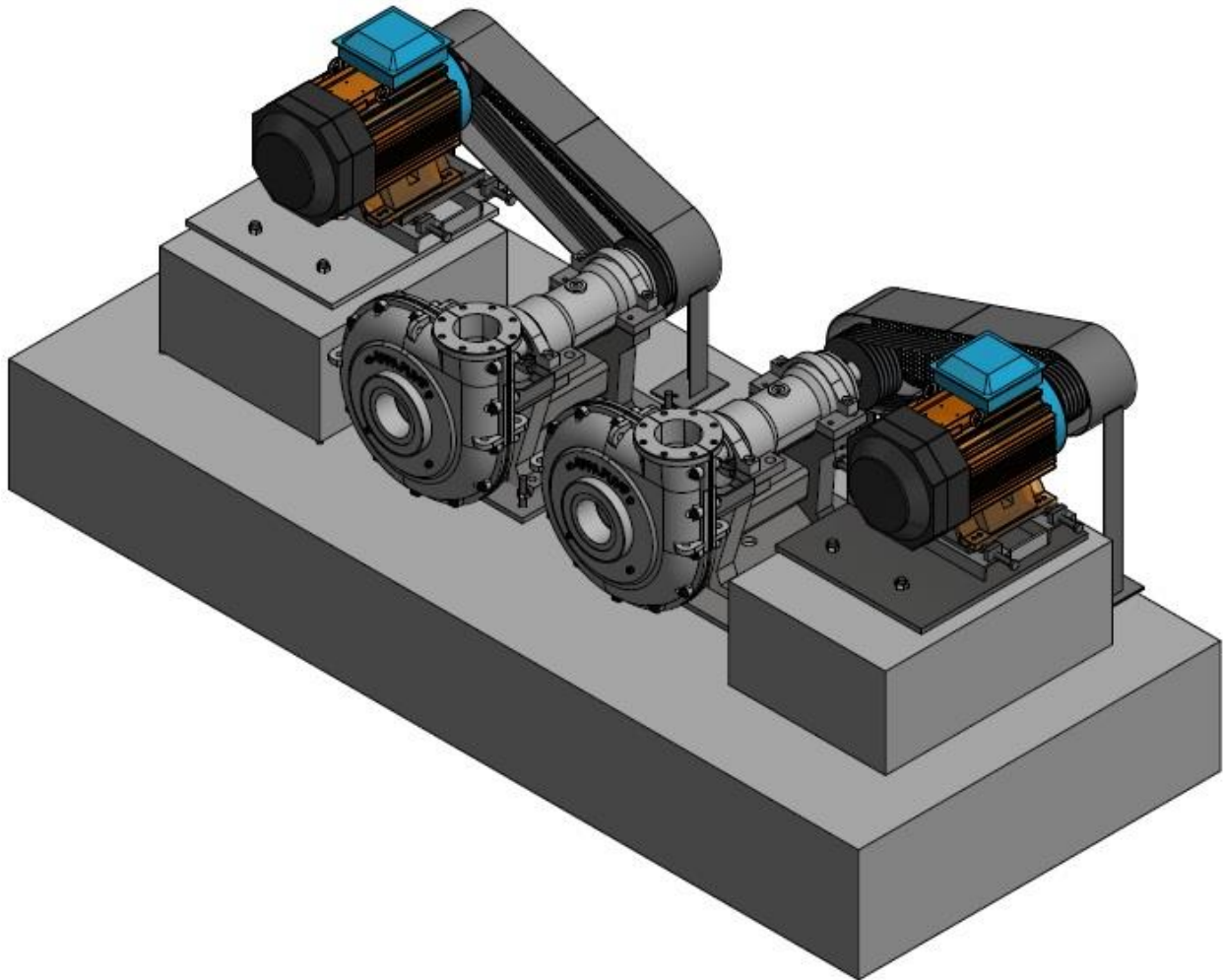


Heavy & Mining Duty

Horizontal Slurry Pump



Centrifugal Horizontal Pump

Model: ASP 6/6 - 17

Serial Numbers: 9525-01 & up

**Technical data**

| | |
|--|--------------------------------------|
| <i>Size:</i> | 6" (DN 150) |
| <i>Impeller Diameter, inches (mm)</i> | 17 (430) |
| <i>Pump Capacity Range, m³/m (min/max):</i> | 1 / 5 |
| <i>Delivery Head, m (min/max):</i> | 35 / 45 |
| <i>Motor Power, kw:</i> | 37 |
| <i>Motor Speed, rpm:</i> | 1200 |
| <i>Shaft Sealing Type:</i> | Gland Packing |
| <i>Qty. of Seal Water, L/min:</i> | 15 |
| <i>Qty. of Oil Required, Liter:</i> | 1.2 |
| <i>Recommended Oil:</i> | ISO VG 100 (Recom.: Shell omala 100) |
| <i>Slurry Density, kg/dm³:</i> | 1.8 |

General applications

- Mining and mineral processing
- Highly abrasive slurries
- Mine refuse and tailing
- Pulp and paper
- In-plant slurry transfer pumps
- Industrial processing

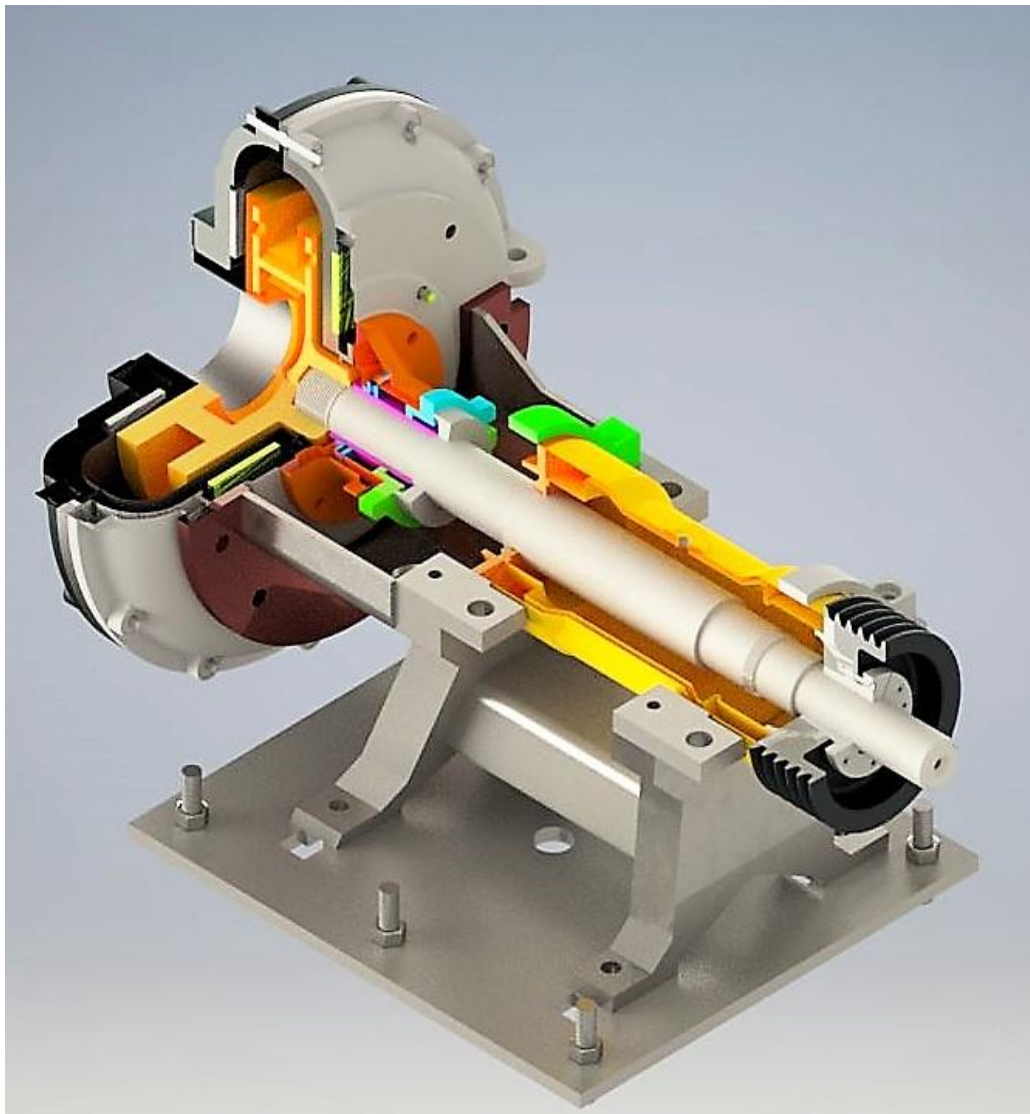
Features

- *High efficiency hydraulic design*
- *Optimal power utilization*
- *Operation close to the best efficiency point*
- *Long wear life*
- *Highest quality of hard metal, rubber and corrosion-resistant materials for wear parts*
- *Minimizing stock levels by modular design and full interchangeability of parts*
- *Ease of inspection and maintenance due to back pull out feature*
- *Replaceable wear liner*
- *Optional special materials*

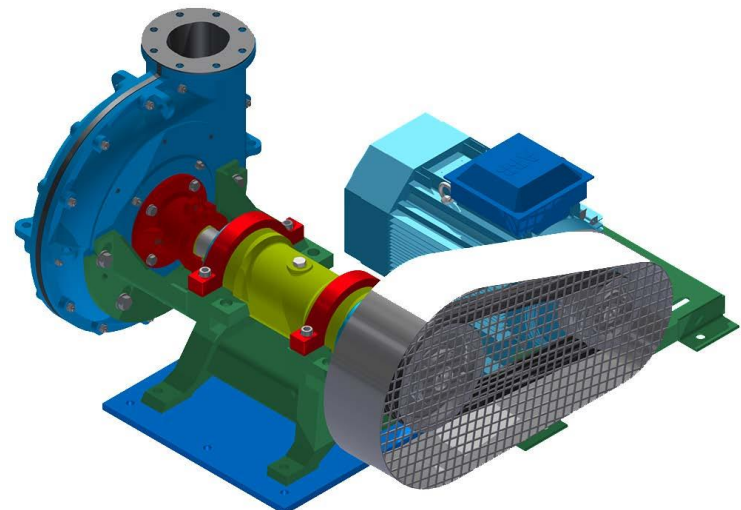
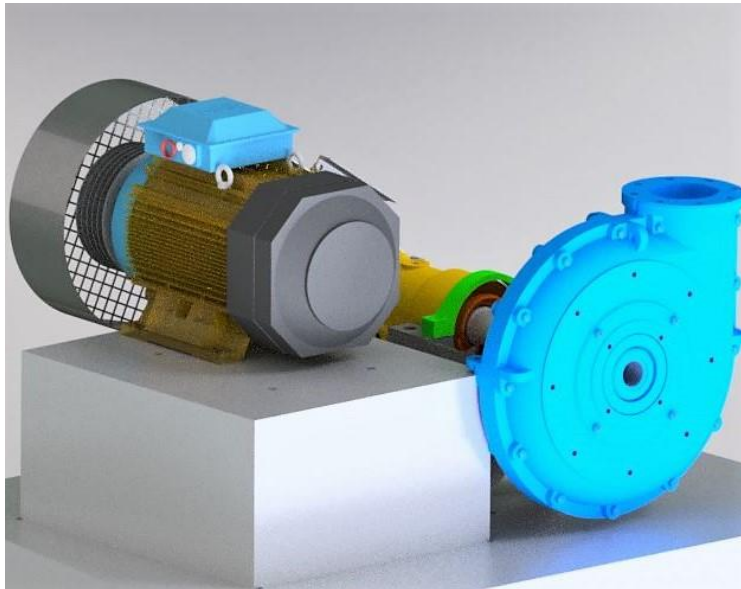
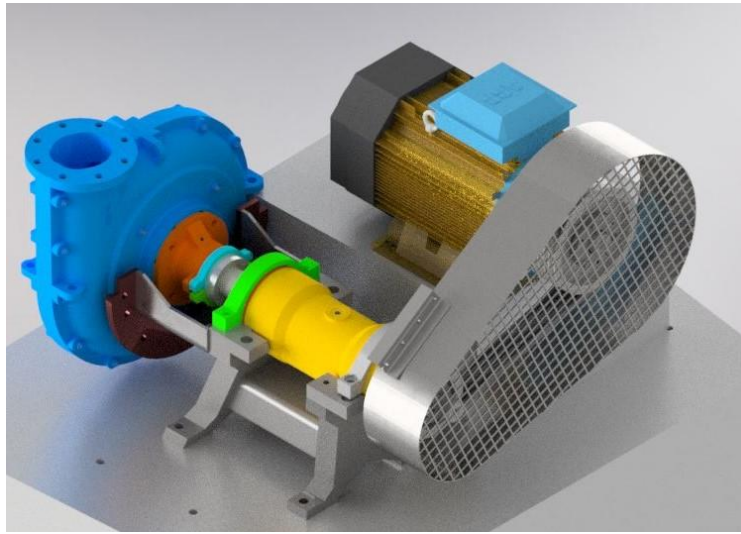


Standard Materials of Construction

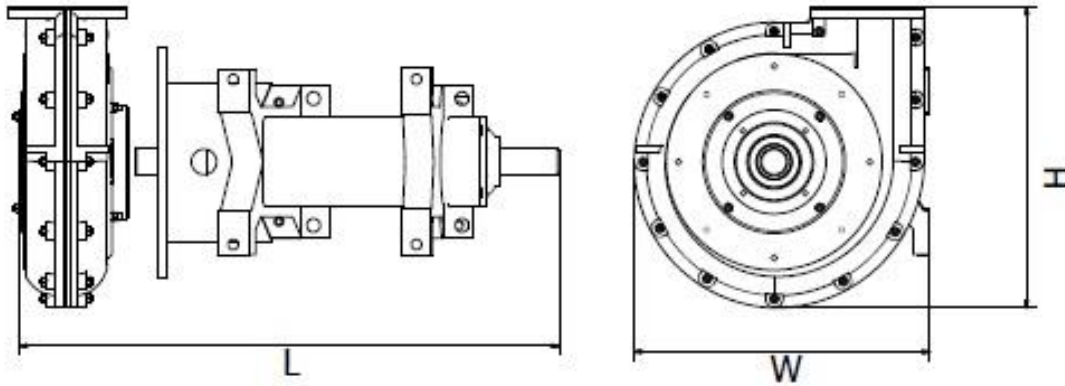
| | <i>Casing</i> | <i>Impeller</i> | <i>Back Liner</i> | <i>Shaft Sleeve</i> | <i>Shaft</i> | <i>Seals</i> |
|-------------------------------|-----------------------|-----------------------|-----------------------|---------------------|---------------------|----------------|
| <i>Metal Standard</i> | <i>Ductil Iron</i> | <i>St. 52</i> | <i>High Chrome</i> | <i>High Chrome</i> | <i>Carbon Steel</i> | <i>Nitrile</i> |
| <i>Rubber Standard</i> | <i>Natural Rubber</i> | <i>Natural Rubber</i> | <i>Natural Rubber</i> | <i>High Chrome</i> | <i>Carbon Steel</i> | <i>Nitrile</i> |



Available Motor Arrangements



Dimensions



General Dimensions

| Model | H | | L | | W | |
|------------|-----|--------|------|--------|-----|--------|
| | mm | inches | mm | inches | mm | inches |
| ACP 6/6-17 | 737 | 29 | 1240 | 49 | 730 | 29 |

Connection Dimensions

| Model | Inlet | | Outlet | |
|------------|-------|--------|--------|--------|
| | mm | inches | mm | inches |
| ACP 6/6-17 | 150 | 6 | 150 | 6 |

Total Weight

| Model | kg | Ibs |
|------------|-----|-----|
| ACP 6/6-17 | 450 | 995 |



Please contact us for more information.

Head Office : Unit 24, No. 495, Next to Sazman Barnameh
St., West Ferdows Blvd., Tehran, 1483756493, Iran
Tel : +982146096962-4
Fax : +982146096965
Email: info@appaco.ir

Factory : APPACO Factory, Karafarinan Blvd., Sepehr
Industrial Zone, NazarAbad City, Alborz Province, Iran
Tel : +982645334252
Fax : +982645334249

APPAPUMP