

# APVA VALVE

## APVTT TECH TAYLOR VALVE

3" to 24" (DN 80 to 600)



**HIGH DURABILITY**  
**SELF ACTING**  
**FAST ACTION**

## Content

About Us .....	1
Features .....	3
Technical Data .....	4
General Dimensions & Part Numbering .....	5
How to order .....	6

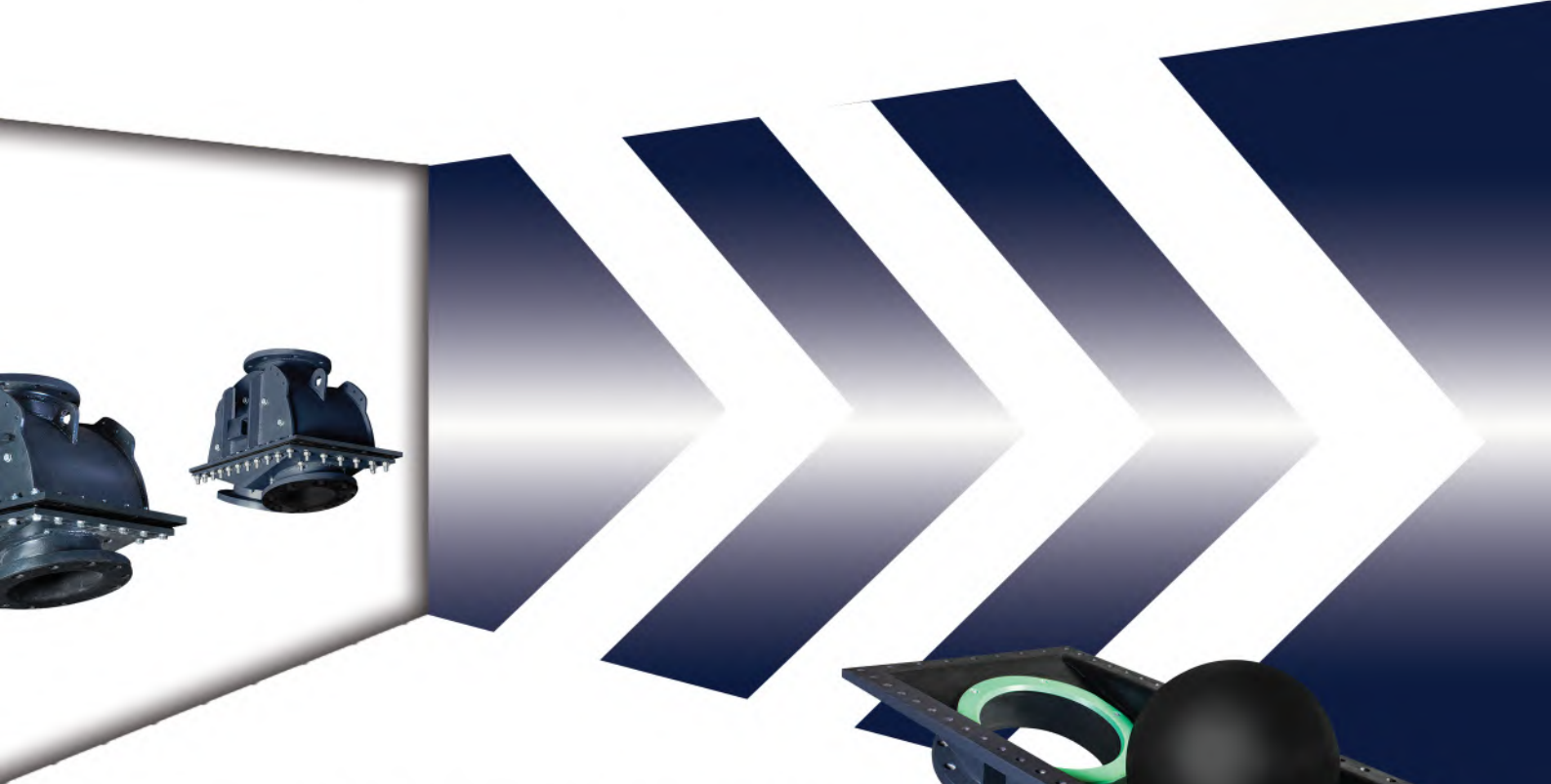


### APPA Company at a glance

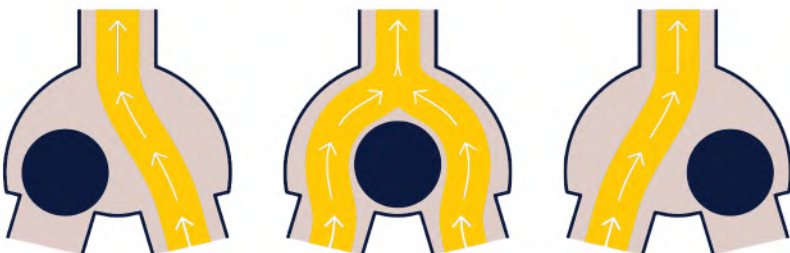
APPA is a subsidiary registered brand owned by Hami Faravar Alvand Company which is established in 2014 as one of the providers of technical and engineering services and EPC project contractor with the aim of localizing technical knowledge services and manufacturing equipment in order to , serve the local industries. APPA company provides all services in the form of equipment supply and manufacturing, mining equipment industrial design and guarantee course services. APPA VALVES are now, the well-known products of this firm in Iran mining industry and have successfully gained the trust of its customers in upstream industries.



Tech-Taylor valves are popular in mineral processing plant, where in critical areas commonly use standby pumps in parallel with the in service pumps. This valve is a ball check and provides a simple automatic change over without any external power requirement and costly process control systems otherwise needed. It prevents the need for multiple knife gate valves and expensive rubber-lined piping components.



When the standby pump starts, The low density ball inside the valve is automatically transferred to block the inactive inlet once and forced across to it as pressure builds Adequate static head is required above the valve to ensure that the ball is firmly sealed the seat of inactive inlet It's also possible to start the standby pump before turning off the in service pump and running both pumps at once to keep the head to slurry flow at the pipe line At this time the ball will remain between the two lines of flow



**Key Benefits:**

- Safe
- Productive
- Reliable
- Long service life
- Cost effective



## FEATURES

- Best performance in Cyclone feed pumps and Standby pumps circuits
- Heavy Duty mild steel construction
- Self-actuating, no Need to power, air, manual or automated operating
- Efficient automatic pump change over
- Designed for maximum abrasion resistance
- Minimizes pressure drop across valve
- Unobstructed flow eliminate turbulence
- No seat cavity where solids can collect and prevent full gate closure
- Replicable ball Seats from hi-abrasion and corrosion resistance Plastomer/ Stainless Steel
- Replicable Rubber lined ball guides
- All Inner side of upper and inlet body lined with hi-abrasion resistance hot vulcanized natural rubber as a standard and other elastomers could be ordered optionally
- Less space required than a complicated control system
- No need for flange gaskets
- Universal body housing designed compatible with ASME B16.5 #150 or En 1092-2 PN 10/16 drilling pattern.
- No metal parts in contact with flowing slurry
- Lockwashers used on all bolting
- Cost effective
- Manufactured by APPACO/ IRAN



## TECHNICAL DATA

Size Range:	3" to 24" (DN 80 to 600)
Standard Pressure Ratings:	Up to 100 psi (7 bar)
Temperatures:	Standard sleeve rated to 160°F (70°C), up to 300°F (150°C) with optional elastomer selection
Body	Fabricated steel, 3 coat of zinc rich, hi-built epoxy and polyurethane
Connnection:	Flanged
Inner Liner :	By default is natural rubber and other elastomers can be ordered optionally
Ball :	By default is natural rubber and other elastomers can be ordered optionally
Replaceable Ball Guide :	Rubber lined Cast iron, / hi-abrasion and corrosion resistance plastomer
Replaceable Ball Seat :	Hi- abrasion and corrosion resistance Plastomer / Stainless Steel
Fasteners:	Class 8.8 galvanized carbon steel/ Stainless options as required

## GENERAL APPLICATIONS

- Mining
- Soda Ash
- Alumina
- Phosphate
- Coal
- Sand and gravel
- Cement
- Mineral sands
- Kaolin
- Food

## STANDARD CONFIGURATION

- Fabricated Mild Steel body housings
- Universal flange drilled to match ANSI B16,5 Class 150
- High wear resistance Natural rubber inner liner
- High wear resistance Natural rubber ball
- Hi-abrasion and corrosion resistance Plastomer ball

## OPTIONS

### General Options:

- Body Material
- Fange drilling ANSI/ EN
- Innetiner Material
- Ball Material
- Ball Guide Material
- Ball Seat Material

### Body Materials:

- Mild Steel
- Stainless Steels (optional)

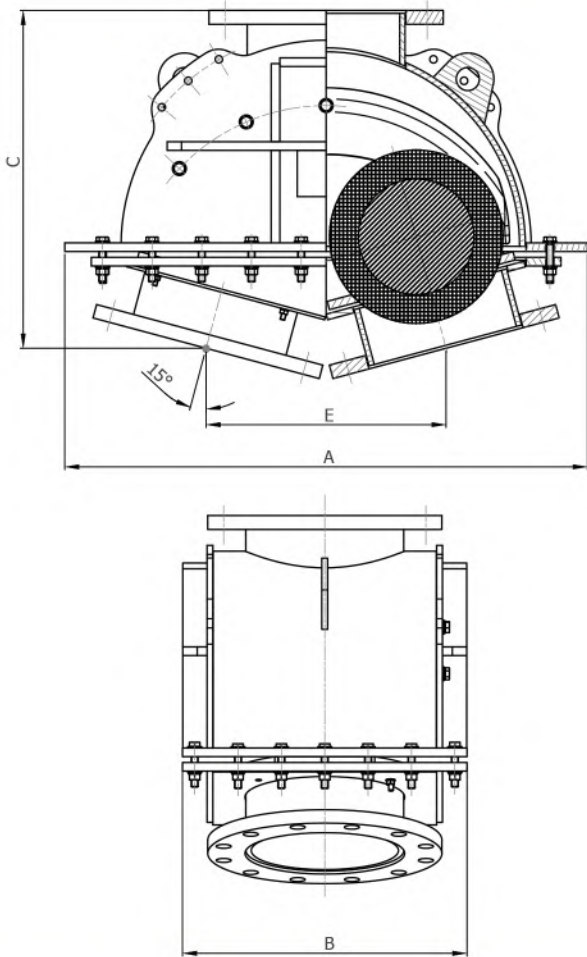
### Ball Seat:

- Hi-abrasion and corrosion resistance Plastomer
- SS 304 16L

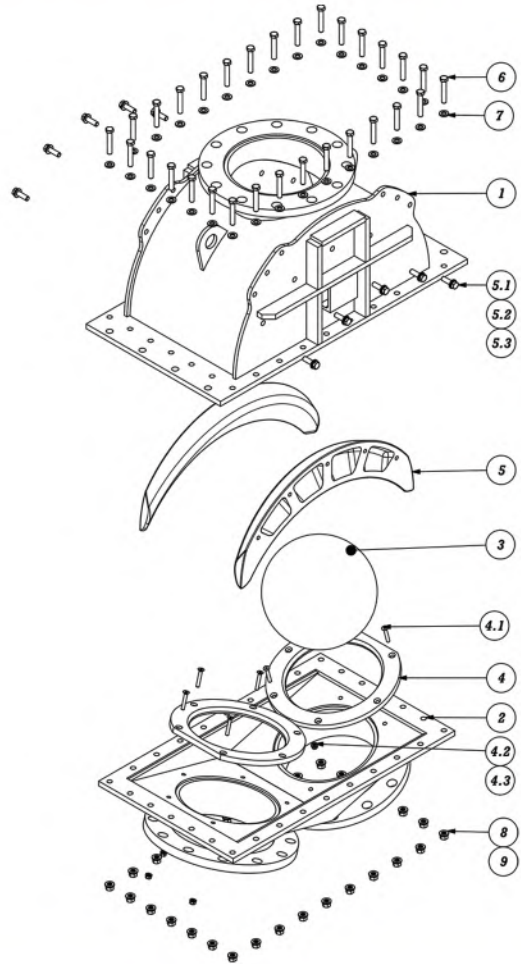
### Inner Liner Material:

- Natural Rubber (NR) as standard
- Ebonite
- EPDM
- Nitrile Butadiene Rubber (NBR)
- Neoprene
- Bromobutyl
- Hypalon
- Nitrile ceramic

### GENERAL DIMENSIONS



### PART NUMBERING



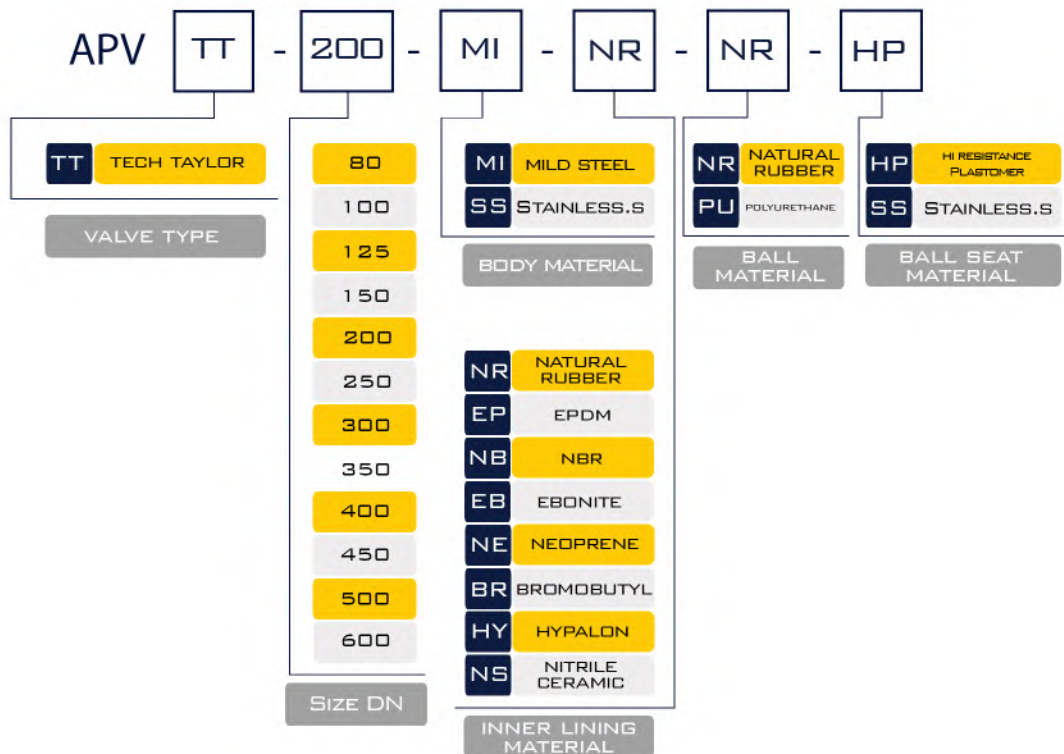
DN	A	B	C	E
100	550	260	357	239
150	640	350	427	300
200	822	425	535	356
250	904	492	584	415
300	1062	580	689	487
350	1118	603	720	546
400	1260	702	839	603
450	1778	840	1034	794
500	1676	797	1029	762
600	1807	984	1080	864

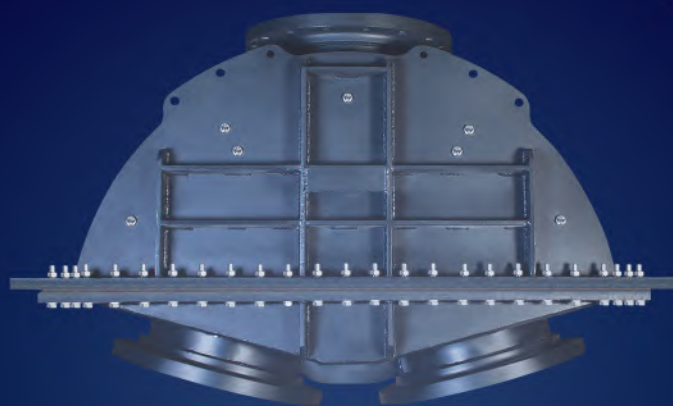
Item	Description	Item	Description
1	Upper Body	5.3	Plain Washer
2	Inlet Body	6	Hex-Head Bolt
3	Ball	7	Plain Washer
4	Ball Seat's	8	Spring Washer
4.1	Treasury-Head Bolt	9	Hex Nut
4.2	Spring Washer		
4.3	Hex Nut		
5	Ball Guide		
5.1	Hex-Head Bolt		
5.2	Spring Washer		





### HOW TO ORDER





#### CONTACT US

Email: [info@appaco.ir](mailto:info@appaco.ir)

Tel: +98 21 4609 6962-4 | Fax: +98 21 4609 6965

Address: Unit 24, No. 495, Next to Sazman Barnameh St.

Naser Hejazi Blvd, Tehran, 1483756489, Iran



[www.appaco.ir](http://www.appaco.ir)