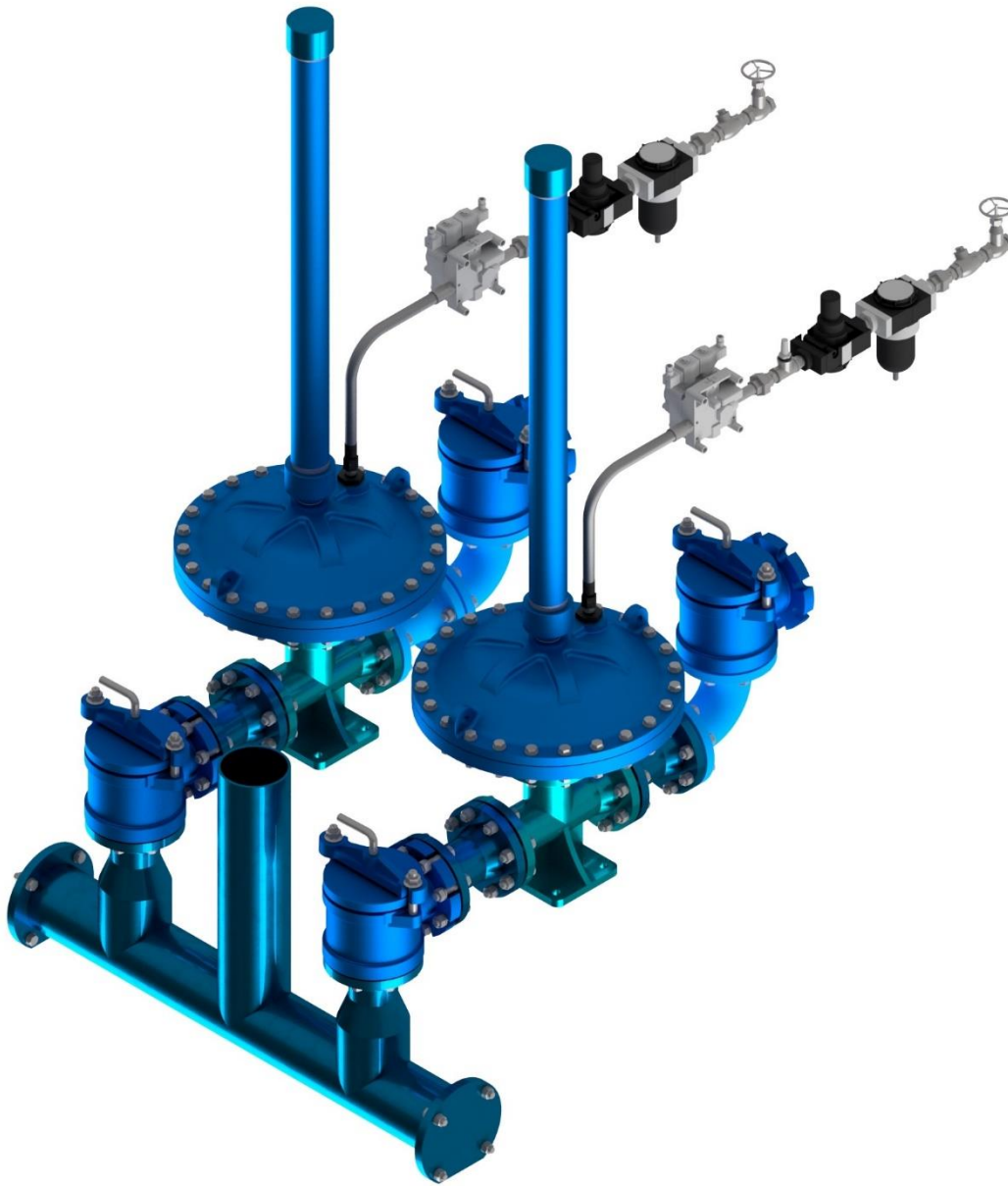


Diaphragm Pump



Diaphragm Pump

Model: ADSP4DD2C2

Serial Numbers: 9522-01 & up



Technical data

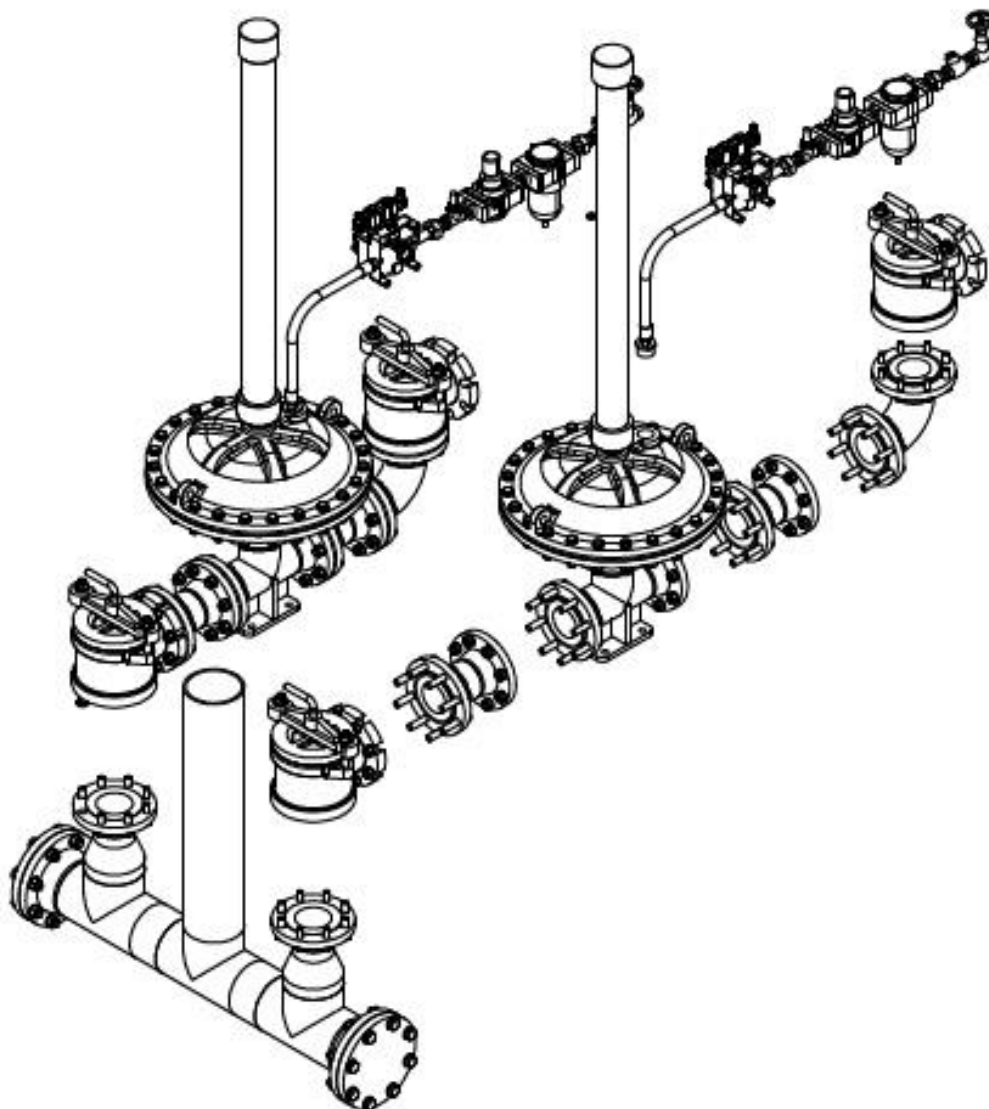
Size:	4" (DN 100)
Flo Rate:	Adjustable to 0-152 gpm
Max Suction Lift, water feet (m):	8 (2.44)
Operating Discharge Head, water feet (water m)	150 (45.72)
Max Capacity Rated, GPM:	152
Max Stroke, stroke/min	40
Max Capacity per Stroke	3.8
Operation Air Pressure, Psig (bar)	85 (5.87)
Compressed Air Required, CFM (m ³ /hr)	180 (258.25)
Compressor Power, HP/CFM (kw.hr/m ³)	0.25 (0.027)
Max Solid Size (Diameter), inches (mm)	1/8 (3.1)

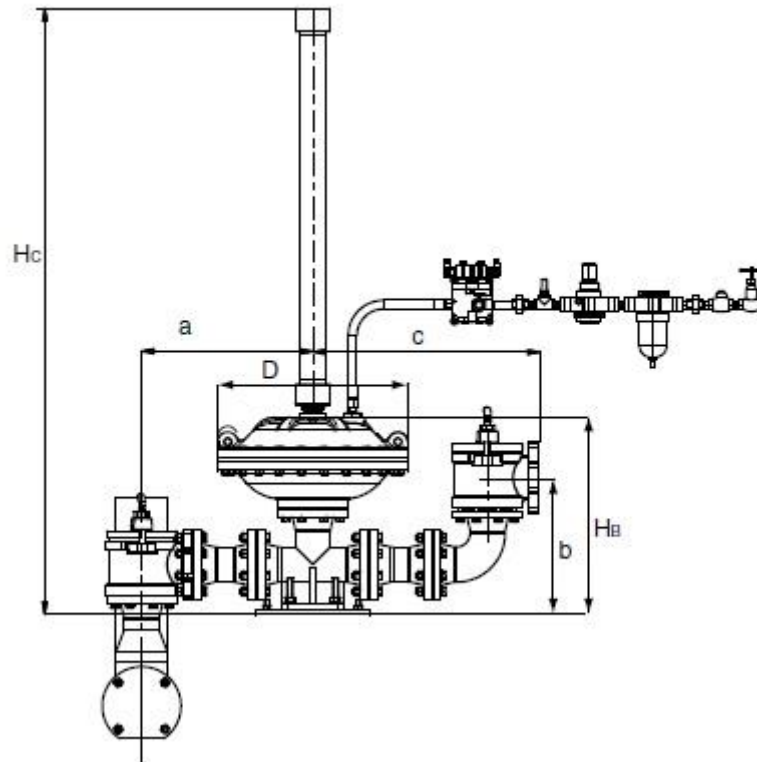
General applications

- Delicate crystal slurries
- Highly concentrated and unusually viscous slurries
- Highly abrasive slurries
- Highly corrosive slurries
- Very large solids in slurries
- Extremely volatile slurries
- Delicate and unstable slurries
- Air entrained slurries
- Shear sensitive liquids

Features

- The ODS Pump can be automated to match capacity to process requirements for maximum process efficiency.
- The ODS Pump's construction allows it to be operated dry, indefinitely. It cannot air bind, has no stator to burn out, no seal to fail.
- The ODS Pump has no seal, so contamination of process slurry or the environment from seal leaks is not possible.
- The ODS Pump is adjustable while in operation for maximum flexibility for both capacity and discharge pressure.
- The ODS pump is a low maintenance pump –once installed it requires almost no attention.
- The ODS can handle tough corrosives, abrasives, temperatures up to 200°F, and slurries containing up to 75% solids. The rhythmic plunger-type action minimizes particle degradation of even the most delicate materials. Operation is completely leak-proof.





General Dimensions (mm)

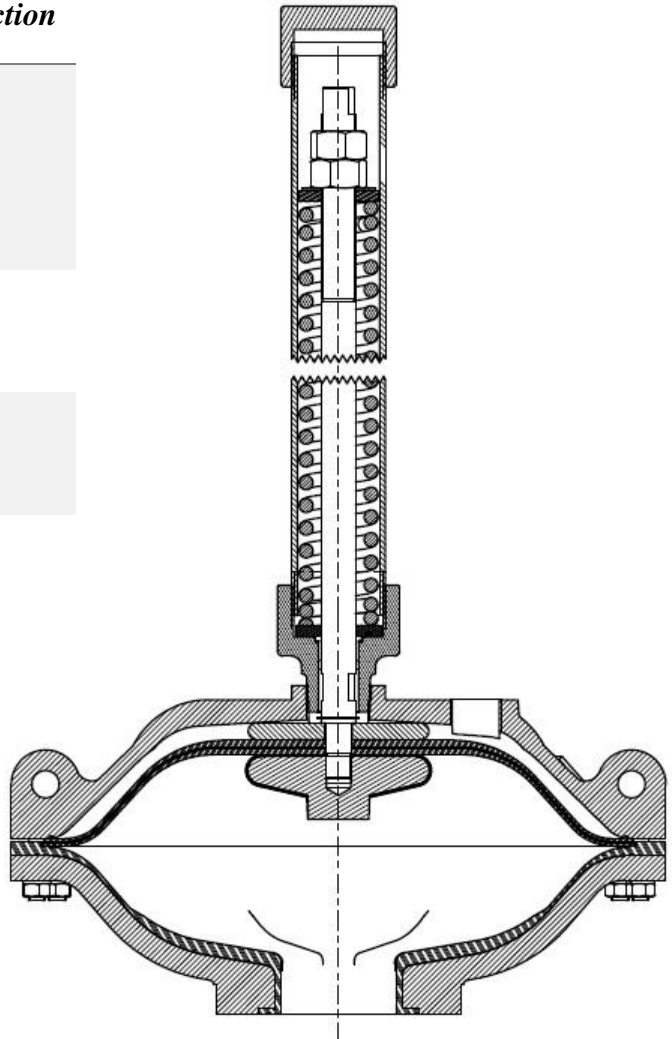
Size	a	b	c	D	H _B	H _C
4"	559	449	571	620	646	1208

Connection Dimensions

Size	Inlet		Outlet	
	mm	inches	mm	inches
6"	100	4	100	4

Pump Parts Available Materials of Construction

<i>Diaphragm</i>	<i>NBR-SBR EPDM NR Hypalon Viton</i>
<i>Casing Base tee Q-valve</i>	<i>Cast iron lined with Hypalon Cast iron lined with Nordel 316 S/S optional</i>
<i>Cover</i>	<i>Aluminum GGG40 GG25</i>
<i>In-line vlave</i>	<i>Cast iron lined with NBR-SBR</i>





Please contact us for more information.

Head Office : Unit 24, No. 495, Next to Sazman Barnameh
St., West Ferdows Blvd., Tehran, 1483756493, Iran
Tel: +982146096962-4
Fax: +982146096965
Email: info@appaco.ir

Factory: APPACO Factory, Karafarinan Blvd., Sepehr
Industrial Zone, NazarAbad City, Alborz Province, Iran
Tel: +982645334252
Fax: +982645334249

APPAPUMP